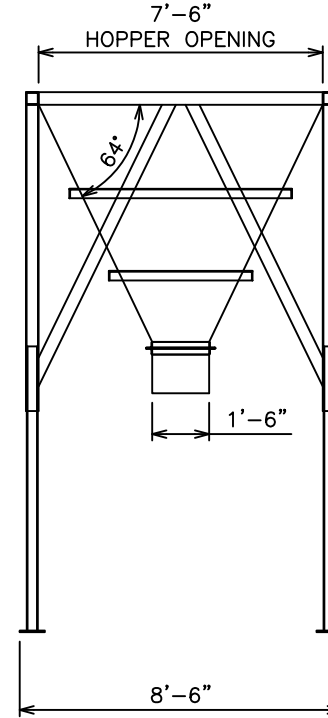
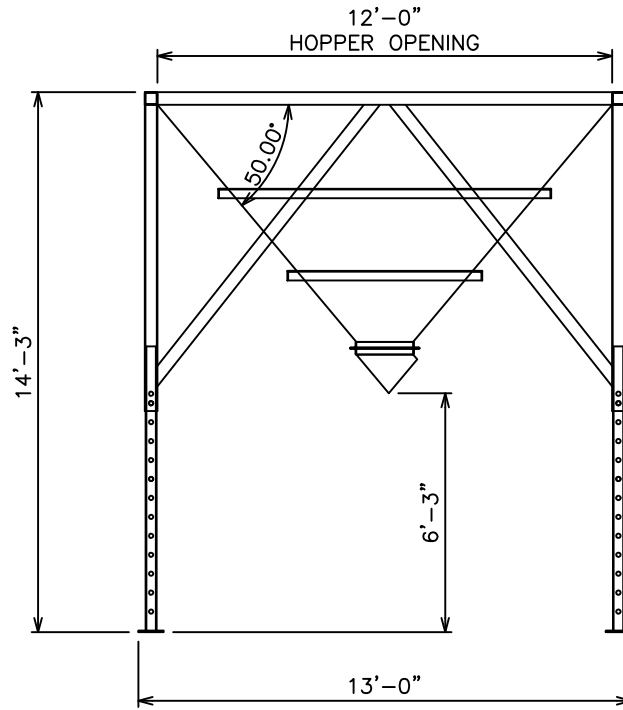
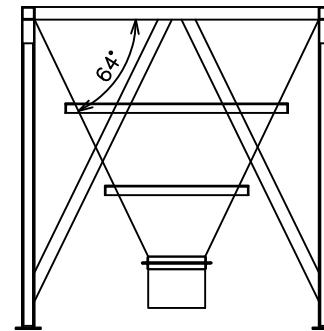
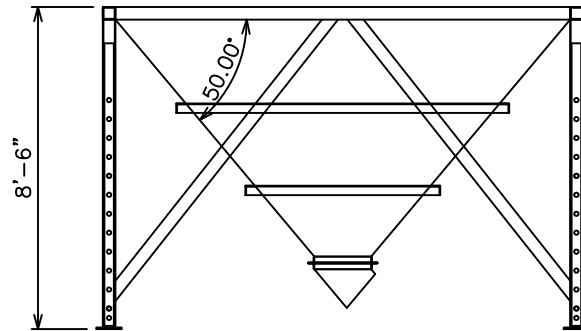


FULLY RAISED POSITION



FULLY LOWERED POSITION



DRN.	MTB	DATE	09/29/15
TOLERANCE: $\pm 1"$			
SCALE NOT TO SCALE			



CUSTOMER	
TITLE	8 CUBIC YARD GRAVITY FLOW HOPPER W/ADJUSTABLE LEGS

REF.#	
MODEL#	103-8
DWG.#	